

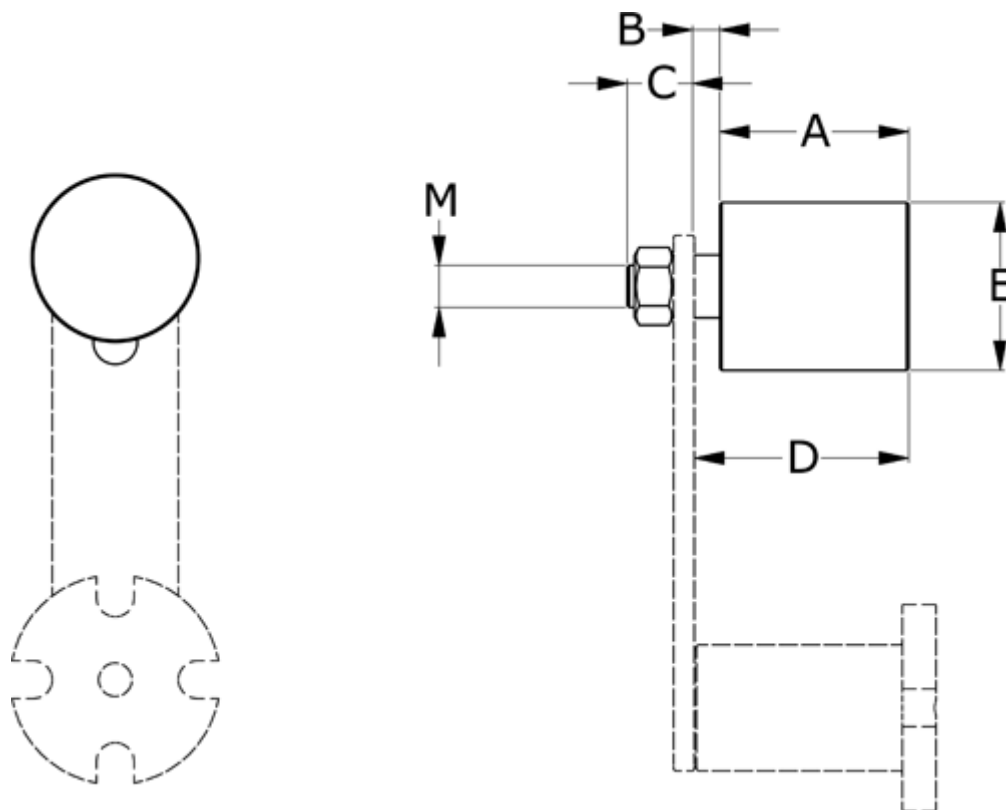
Data Sheet



Article number: 670740

Description: Roller XDA 40, stainless

Measures



A = 47

B = 6

C = 16

D = 53

E = 40

For tightener = PX 20, PX 30, CE 15, CE 18, CEZ 15, CEZ 18

M = M10